

# auto electrical parts

## Technical Information Sheet

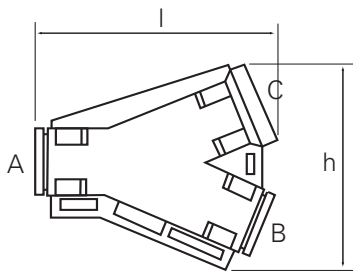
### Part No. 0-327-10 to 20

Black nylon unsealed 'Y' piece connectors.

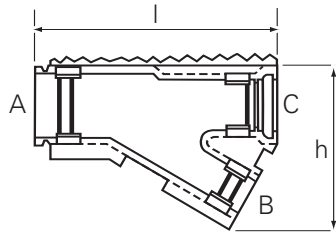
	NW	A	B	C	Type	h	l
0-327-10		7.5	7.5	7.5	A	40.1	46.9
0-327-11		10	10	10	D	43.0	54.4
0-327-12		13	7.5	10	C	39.5	47.3
0-327-13		13	10	10	C	45.4	59.9
0-327-14		13	10	13	C	45.6	59.9
0-327-15		13	13	13	C	46.6	59.9
0-327-16		17	13	10	C	46.9	59.9
0-327-17		17	13	17	B	58.4	78.8
0-327-18		22	10	17	B	57.1	68.8
0-327-19		22	13	17	B	55.1	60.3
0-327-20		26	22	22	C	64.7	69.4



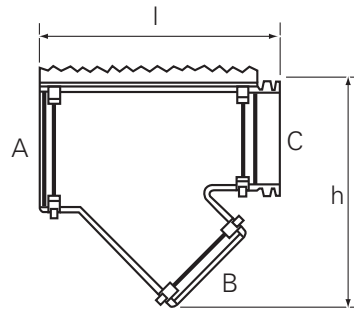
### Technical Drawing (not to scale)



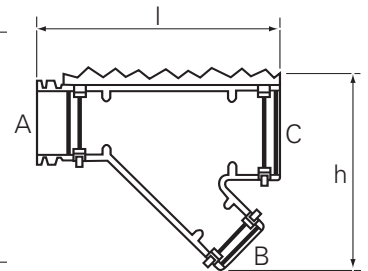
Type A



Type B



Type C



Type D

### Specification

Type	'Y' piece connector
Material	Nylon (Polyamide 66)
Temperature range	-40° to + 135°C (max 150°C for 240 hours)
Closure	snap together

The information contained in this document is correct to the best of our knowledge at the time of printing. However, specifications may change at any time without notice.